



TED WOJCIK CUSTOM BICYCLES | 'YOUR WAY' FRAME ORDER/FIT FORM

TED WOJCIK CUSTOM BICYCLES
4 Wilder Dr. Unit 10D
Plaistow, NH 03865

1-603-479-3799

tedwojcik1@comcast.net
www.tedwojcikcustombicycles.com

THANK YOU FOR CHOOSING A TED WOJCIK CUSTOM FRAME!

I'm excited that you chose me for your next custom frame and what better way than to do it YOUR WAY. Please take the time to thoroughly read through this multipage pdf document before you give me a call with your questions. I'll be more than happy to help you out with all your wants and needs. But first, do your homework and study up! A lot of thought goes into a custom frame and an equal amount of work to get the job done to your specifications. So before I even cut one tube, I want to know that everything is to your exacting specifications. Once you have finished, please email me the updated form, send it by mail to the above address, or if you're in the neighborhood look me up and swing on by. I'll be happy to talk bikes!

Once again-we thank you for your patronage and I look forward to your order.



TED WOJCIK CUSTOM BICYCLES | 'YOUR WAY' FRAME ORDER/FIT FORM

STEP 1: Tell Us About Yourself:

Customer Name: _____ Date: _____

Address: _____

City: _____ State: _____ Zip: _____ Country: _____

Phone: _____ Fax: _____ Email: _____

STEP 2: Frame Type

26" Mountain Bike

29" Mountain Bike

700c Road Bike

650b Road Bike

Touring

Singlespeed Mountain 26

Singlespeed Mountain 29

Cyclocross

Track

BMX

Trials

OTHER: Please describe: _____

STEP 3: Frame Options

Compact Geometry Standard Geometry NO Preference

S&S Couplings

Singlespeed Standard Dropouts

Singlespeed Paragon slider Dropouts

Hooded dropouts

Eccentric Bottom Bracket

Sterling Silver Head Badge

Rohloff Rear Hub (comes with specific cable routing)

OTHER: Please Describe: _____

STEP 4: Riding Style

Road Racing

Crit Racing

Time Trials

Triathalons

Long Recreational Rides

Short to Mid-Distance Rides

OTHER: Please Specify: _____

Free Ride

Down Hill

Trials

Aggressive Street

Aggressive Trail

All Mountain

DJ

Mountain Bike Racing

24 Hour

Climb Seated

Climb Standing

Prefer Stiff Ride

Prefer Soft Ride

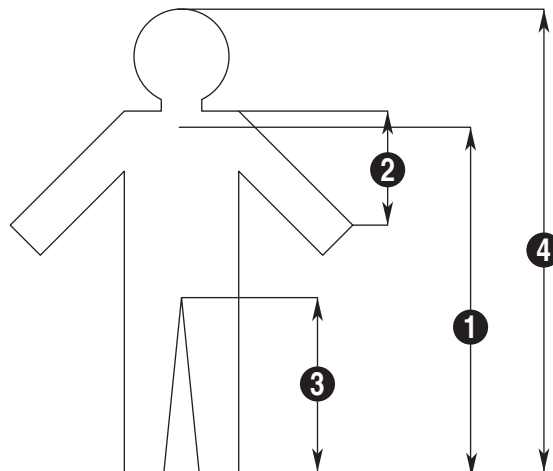
Miles/Week



TED WOJCIK CUSTOM BICYCLES | 'YOUR WAY' FRAME ORDER/FIT FORM

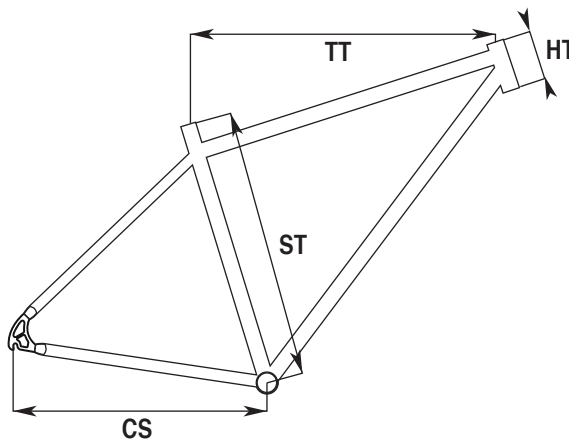
STEP 5: YOUR MEASUREMENTS INCHES CM

1. Sternum to Floor: _____
2. Shoulder to Wrist Bone: _____
3. Pubic Bone to Floor: _____
4. Height: _____
5. Shoe Size: _____
6. Weight: _____
7. Crank Arm Length: _____
8. Rear Hub Spacing: _____
9. Brake Reach: _____



STEP 6: FRAME MEASUREMENTS INCHES CM

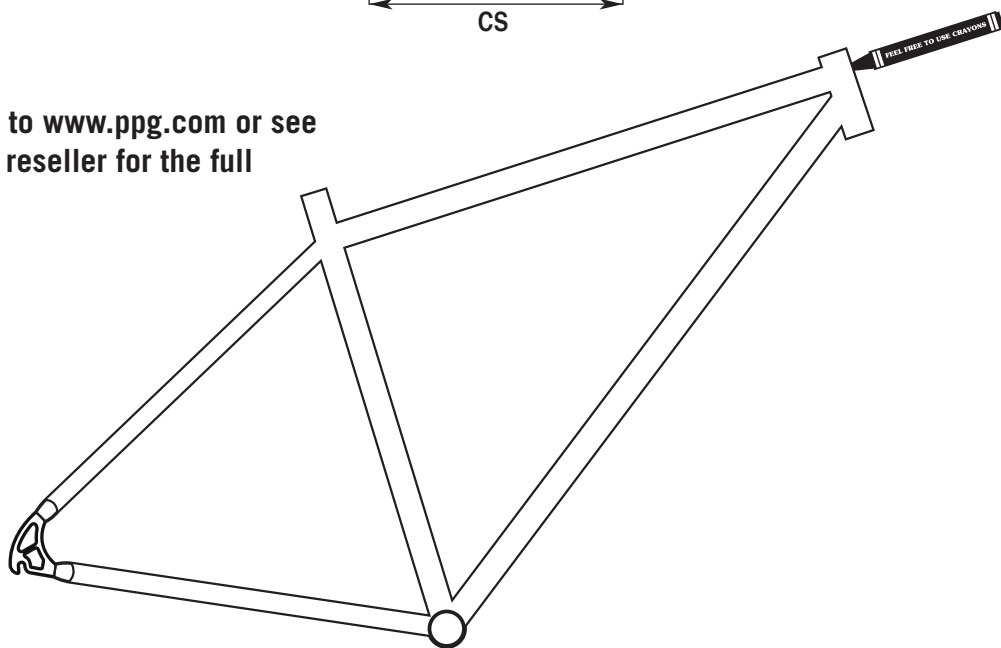
- A + T = _____
- Seat Tube Length = _____
- Seat Tube Angle = _____
- Top Tube Length = _____
- Head Tube Length = _____
- Head Tube Angle = _____
- BB Height = _____
- Chain Stay Length = _____
- Fork Rake = _____
- Tubing = _____



STEP 7: PAINT/DECALS

1. We use PPG paints. Go to www.ppg.com or see your local PPG authorized reseller for the full mind-numbing options.
2. Choose your Decals:

- ___ Black
- ___ White
- ___ Red
- ___ Gold
- ___ Silver





TED WOJCIK CUSTOM BICYCLES | 'YOUR WAY' FRAME ORDER/FIT FORM

STEP 8: ADDITIONAL INFORMATION:

Feel free to add anything that you think will be helpful for us to know to make Your bike the best it can be. Use the space below.